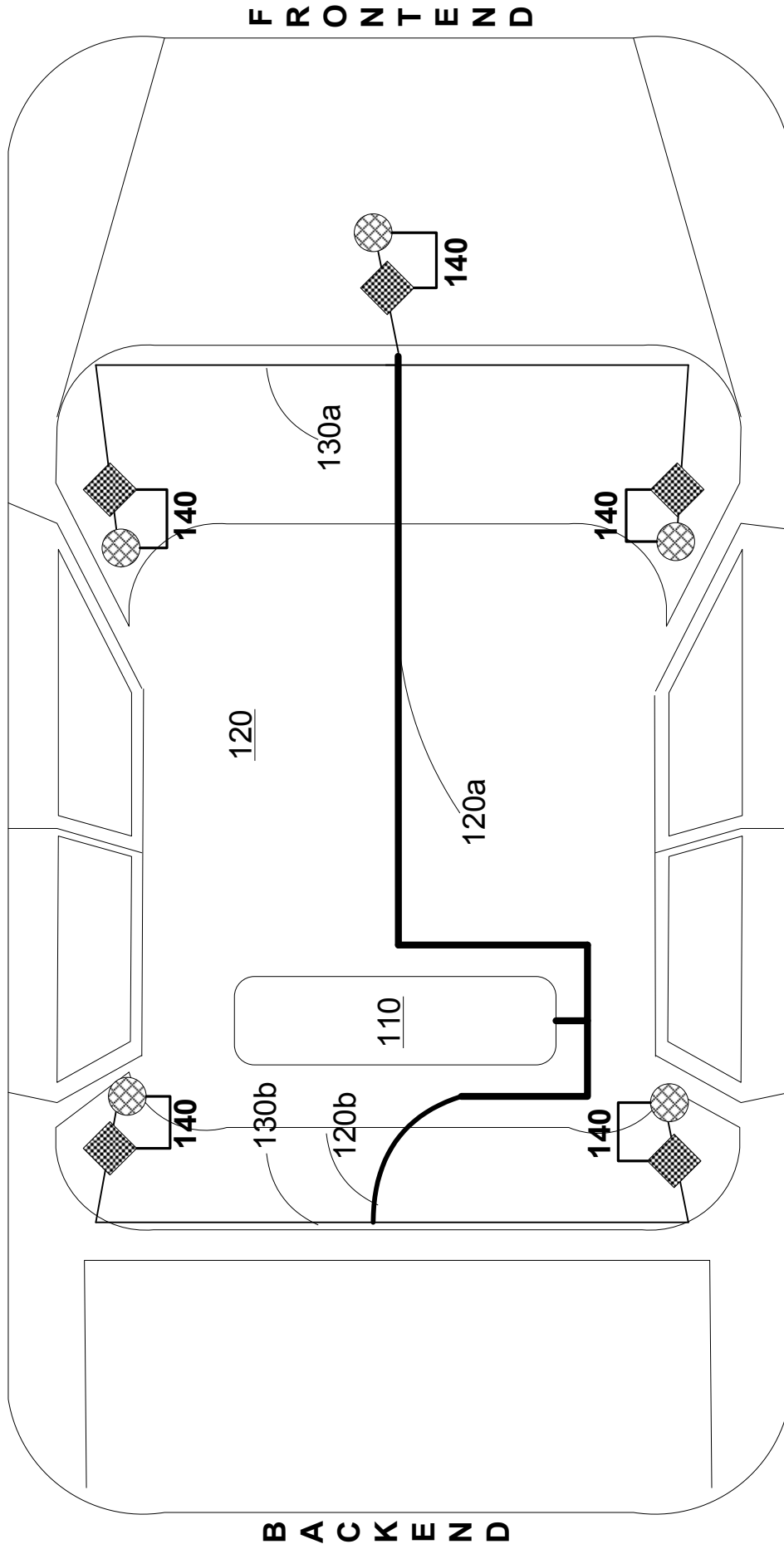


100



○ - Fire-extinguishing device
◊ - Smoke Detector

Fig. 1

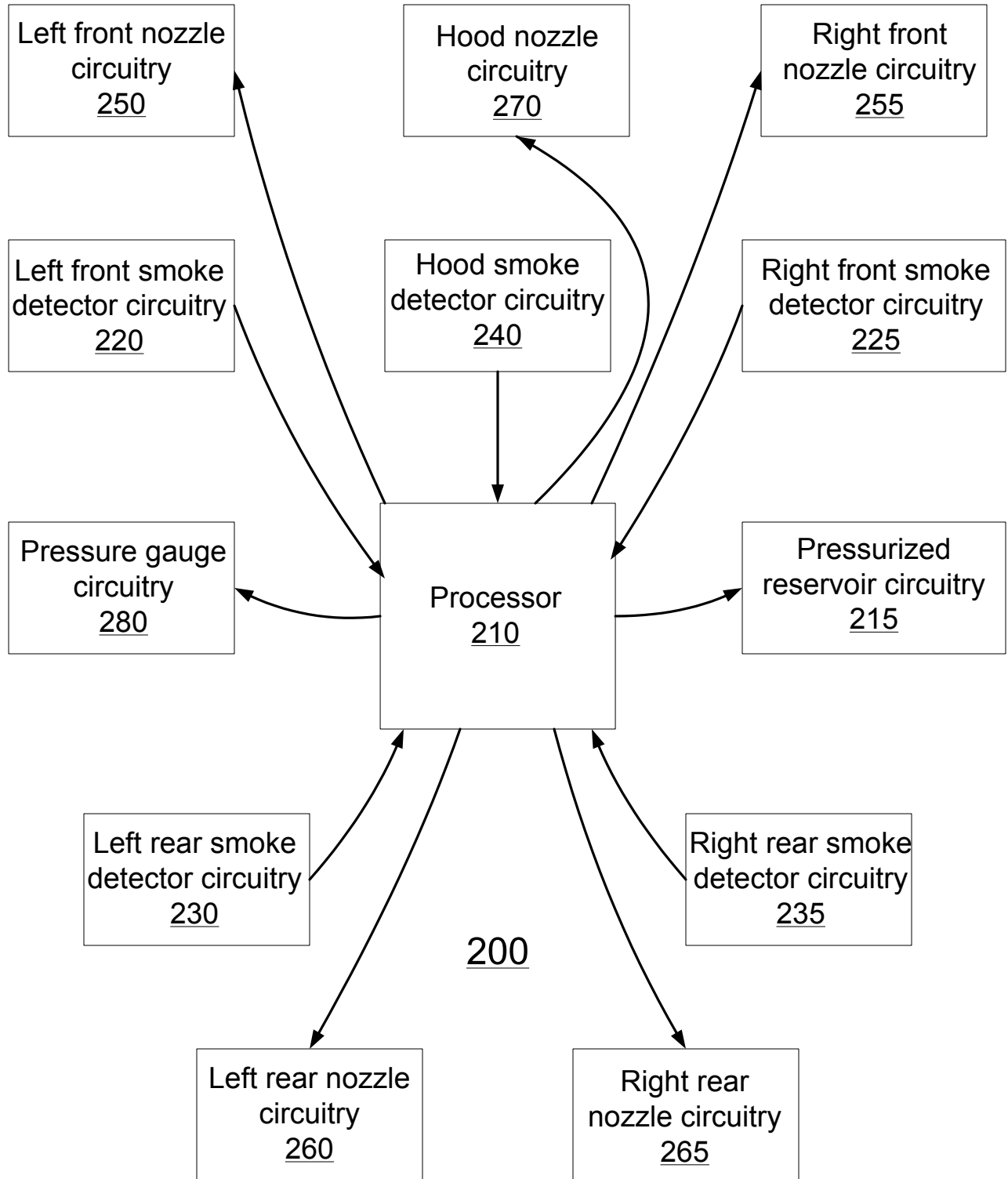


Fig. 2

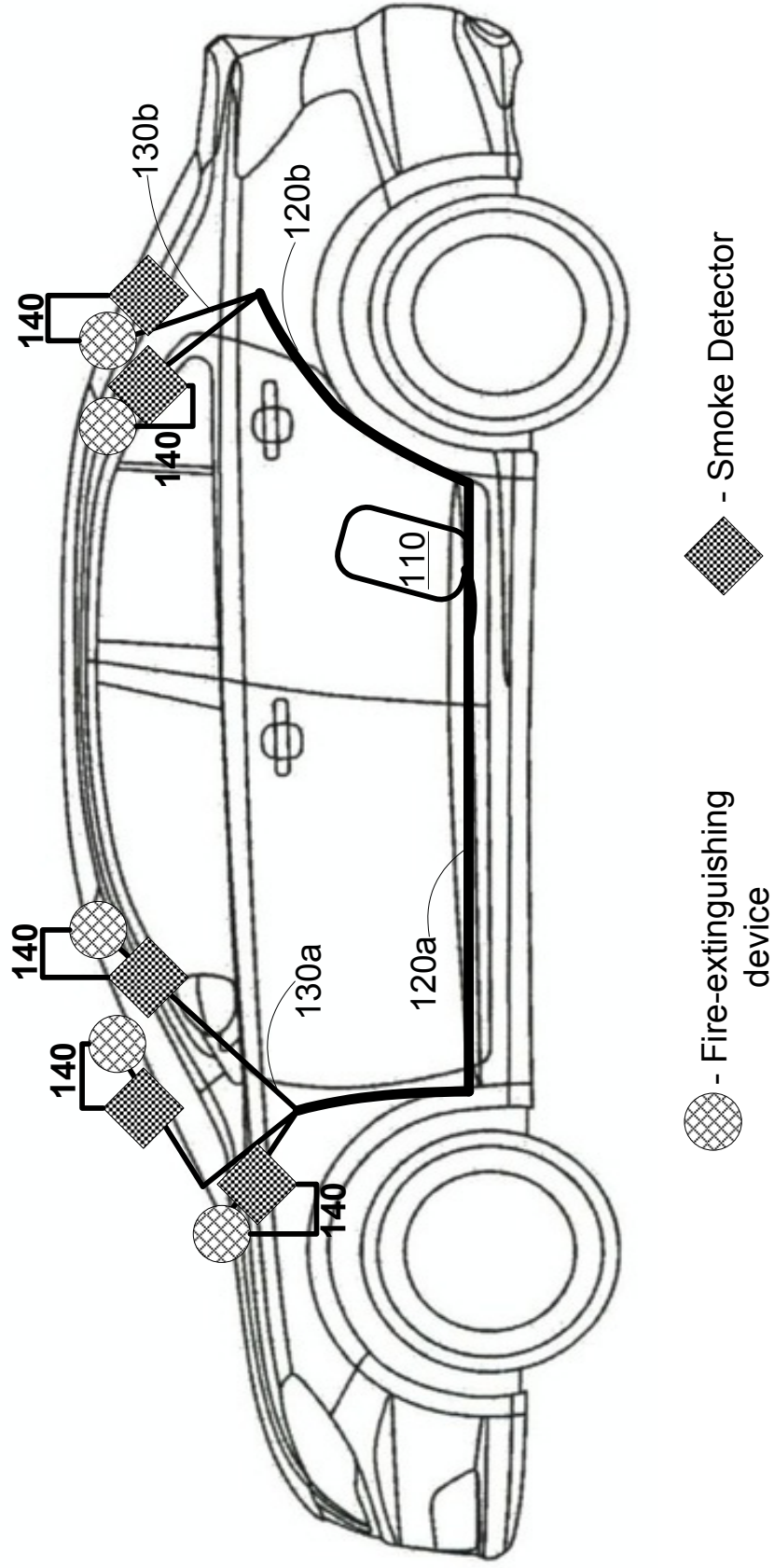
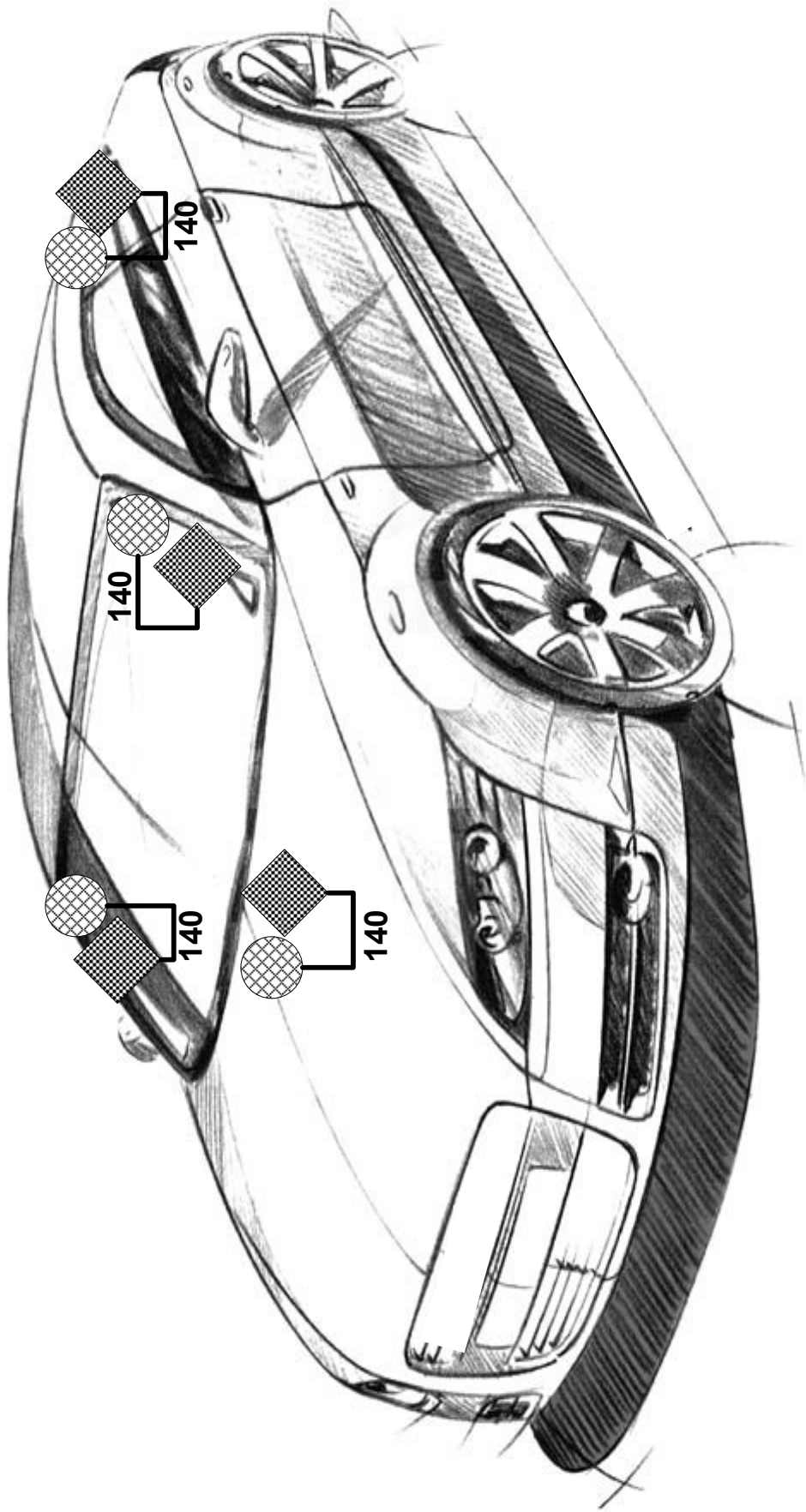


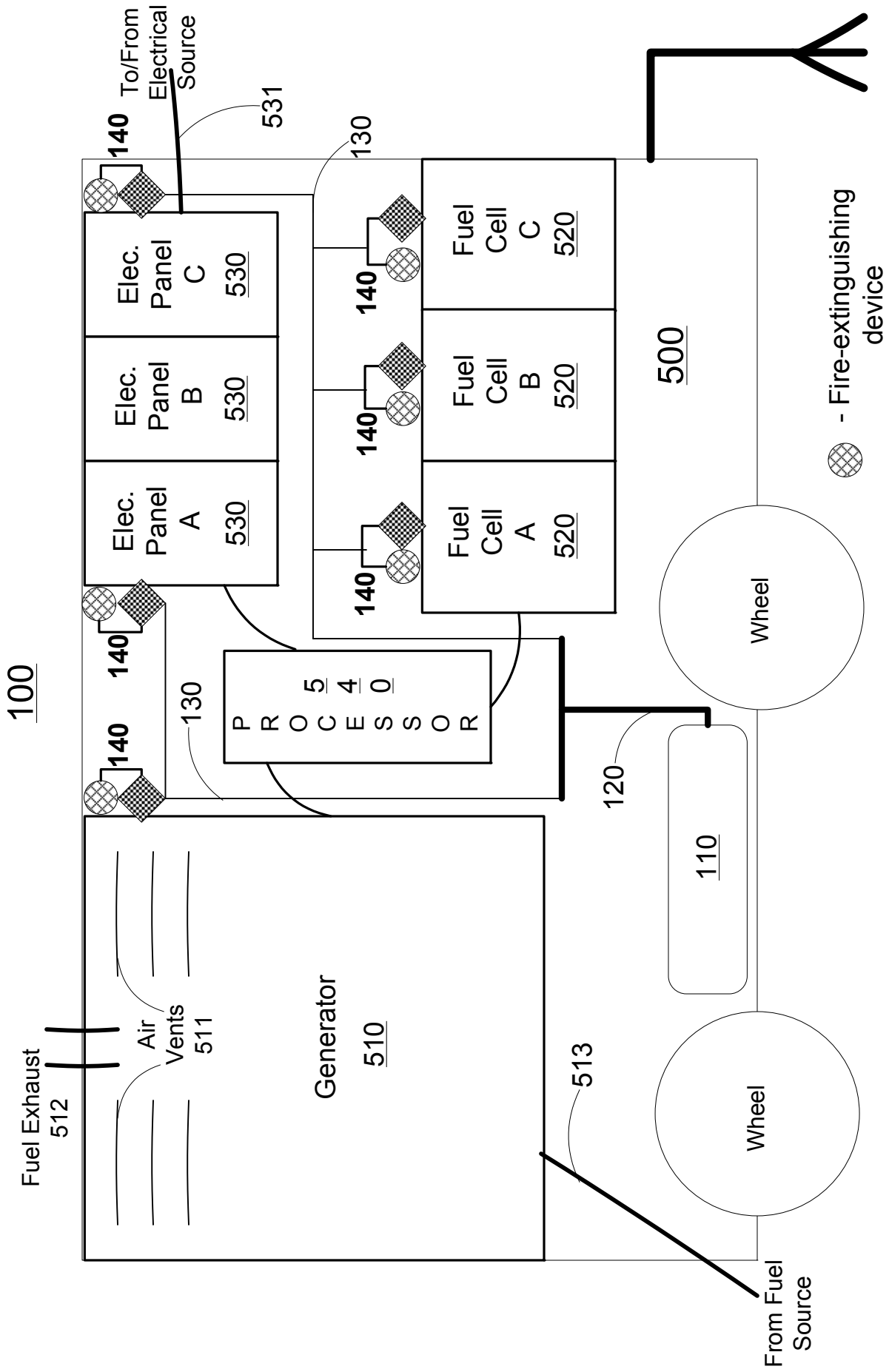
Fig. 3



○ - Fire-extinguishing device

◇ - Smoke Detector

Fig. 4



 - Fire-extinguishing device
 - Smoke Detector

Fig. 5

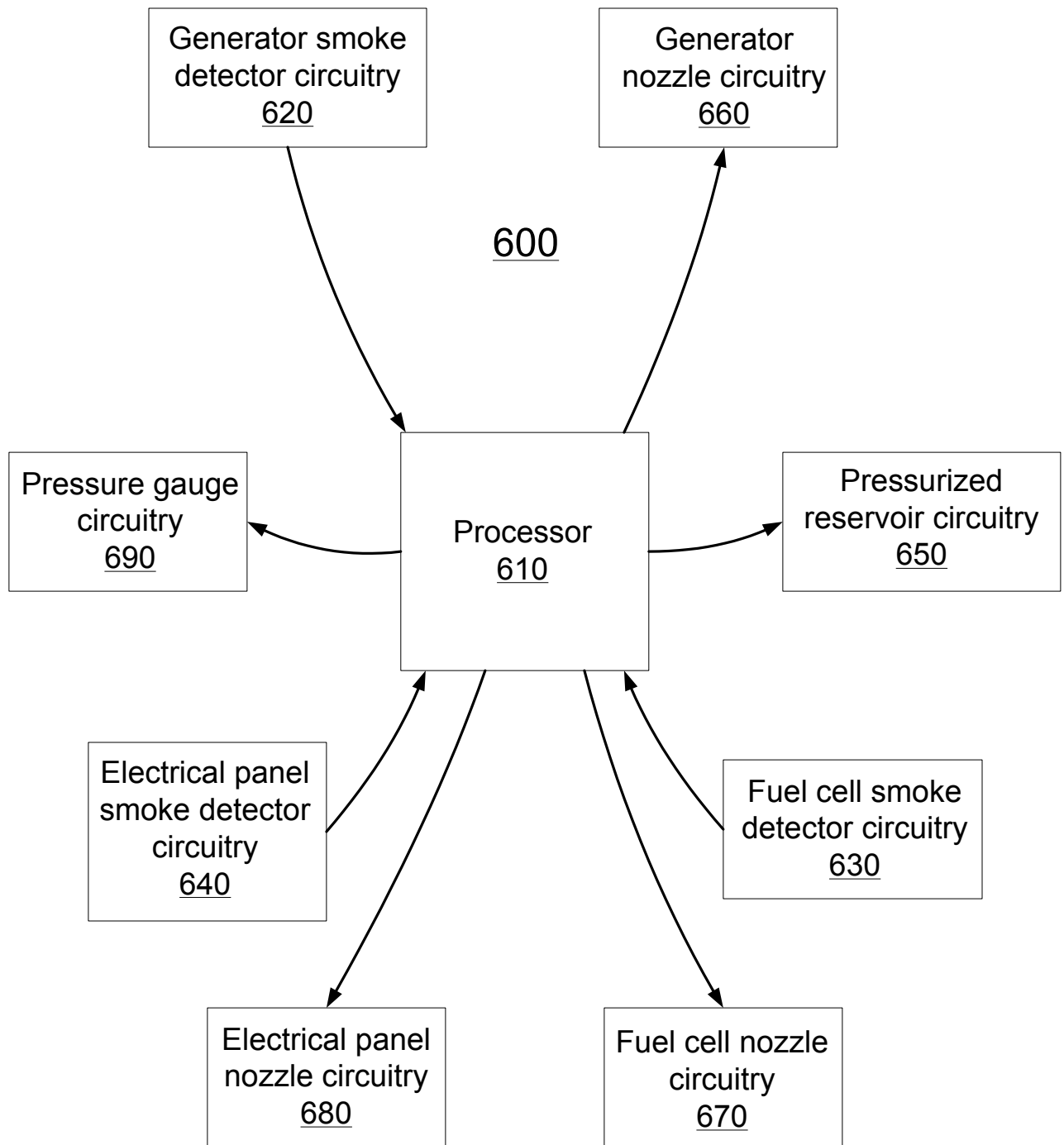


Fig. 6

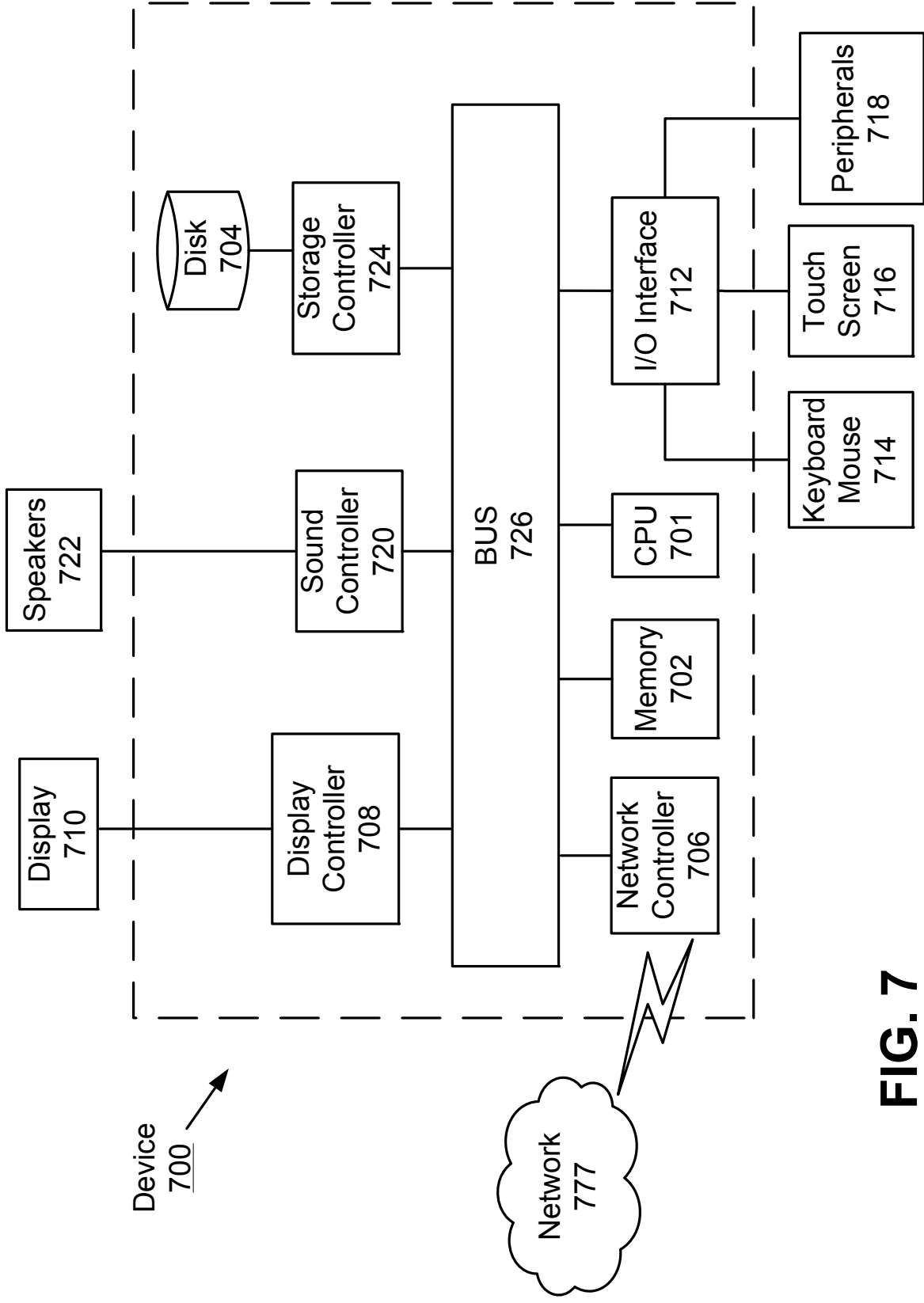


FIG. 7

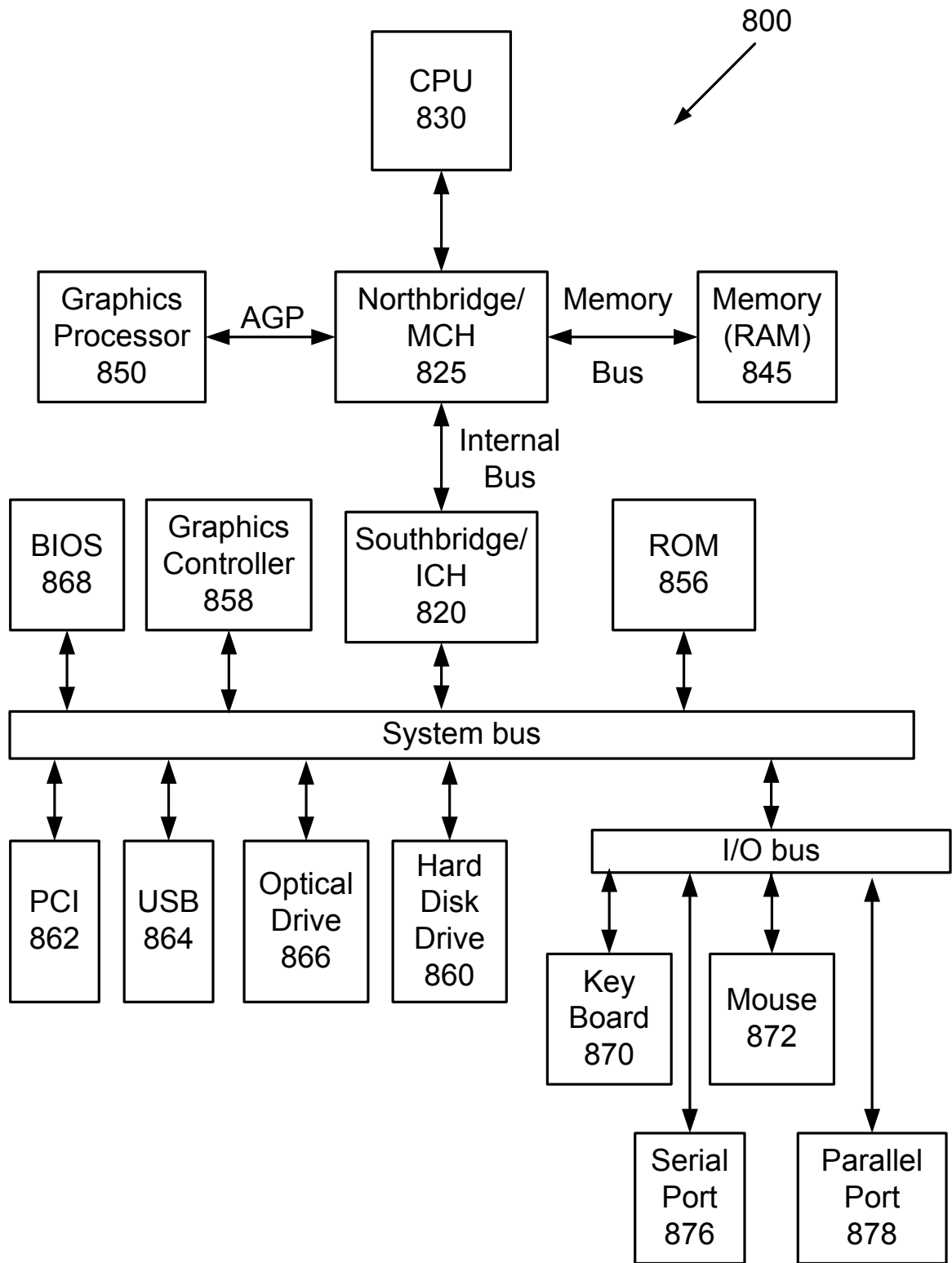


FIG. 8

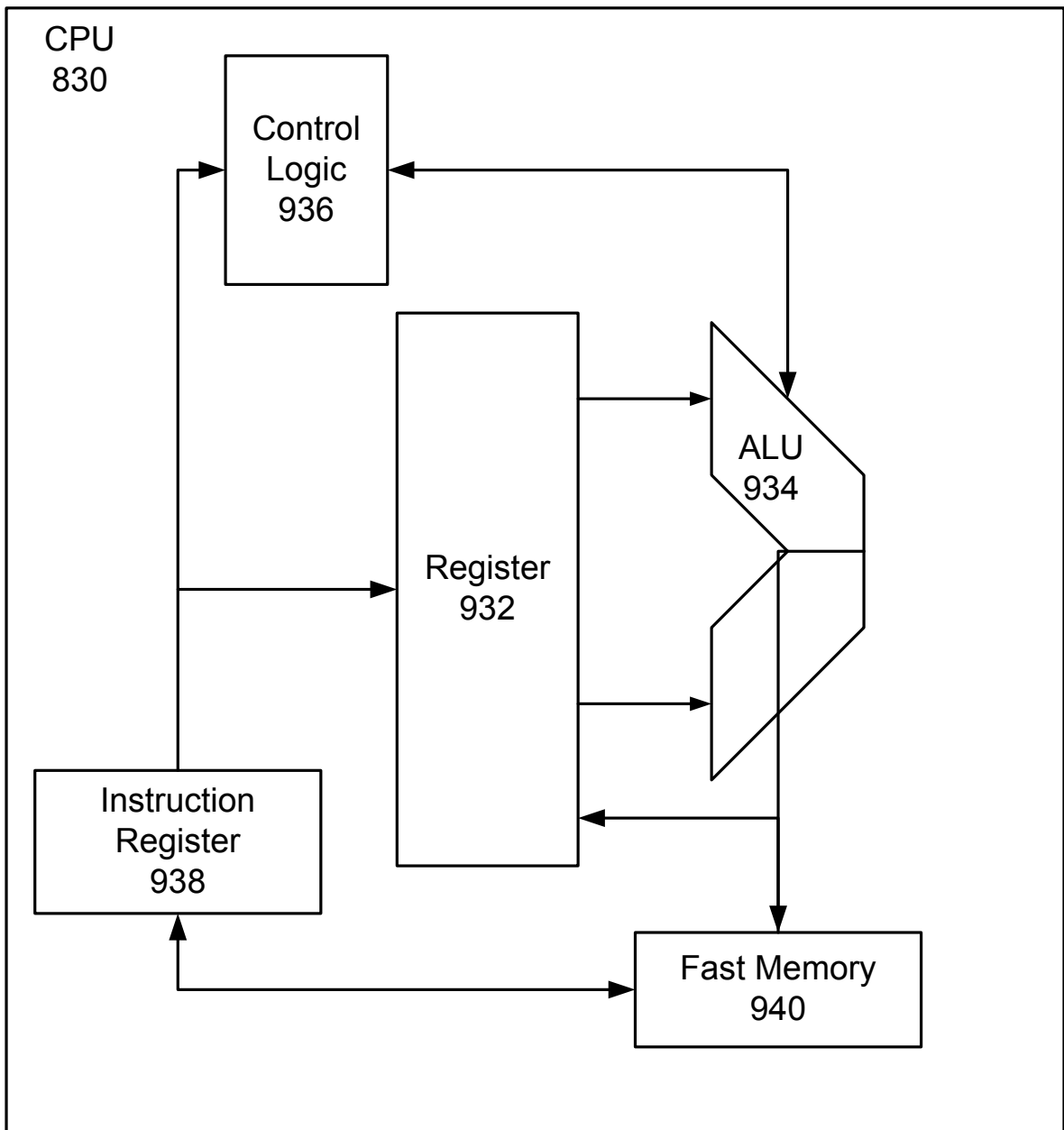


FIG. 9

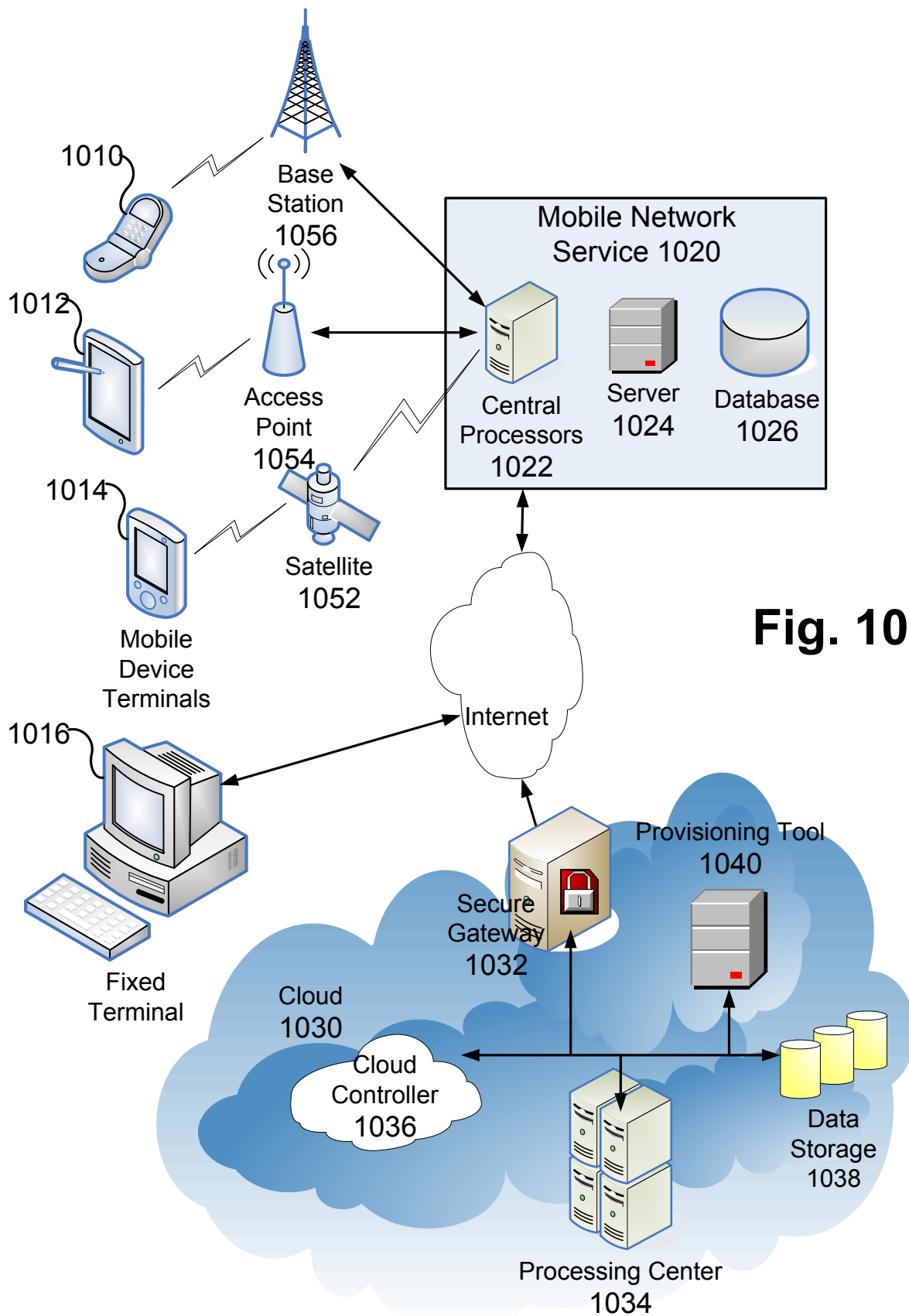


Fig. 10

Fig. 11

1100

